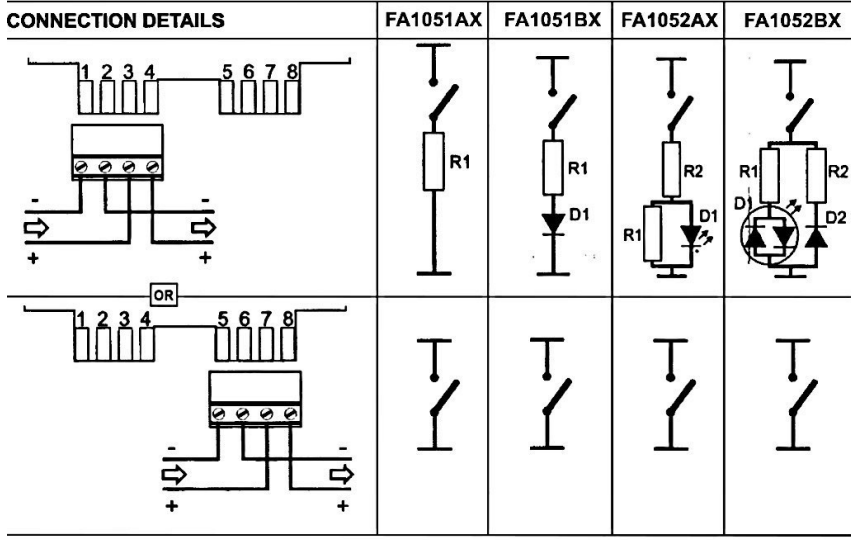


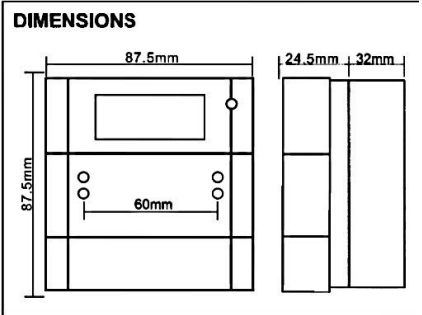
FA105

Resettable Manual Call Point

- Operating Voltage: DC 12-24V
- Operating Current: 2A
- Withstood Voltage: AC 250V
- One way / two way
- Transparent cover optional
- Color Available: Red, Green, Yellow, Blue, White
- Dimension: 86*89*56mm

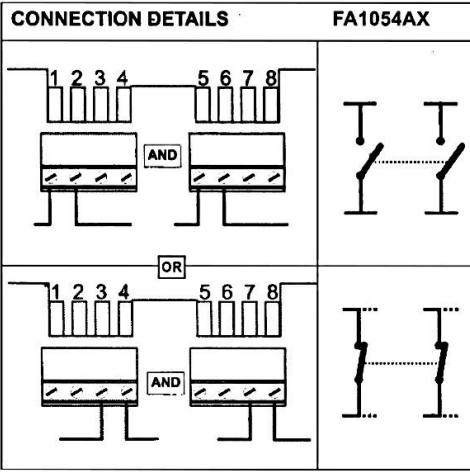
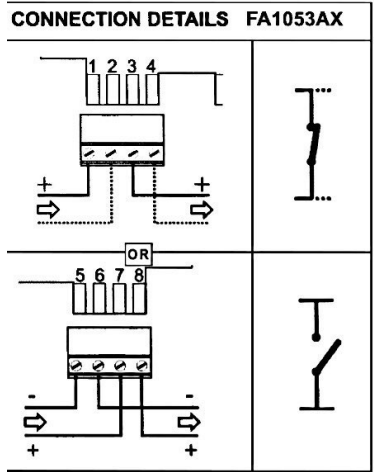
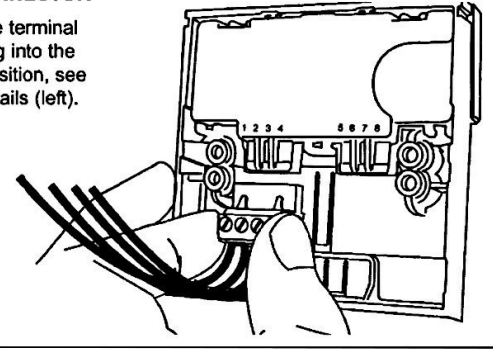


X in the FA105 code (left) represents the final digits of the part number, which indicate FA106 colour, component values, mounting options and element type.
 eg FA105 A -R470
 II
 (FA105 A, Red, 470R,



PUSH FIT CONNECTOR

After wiring the terminal connector, plug into the appropriate position, see connection details (left).



TECHNICAL DATA

- 30VDC Max
- 2A Max
- IP24D
- 110/160g
- 30°C to 70°C
- Red, Ral 3001
- Yellow, Ral 1006
- Green, Ral 6016
- White, Ral 9010
- Blue, Ral 5002

STALLATION INSTRUCTIONS FOR THE MANUAL CALL POINT MODELS FA1051AX,FA1052AX.....,FA1053AX,FA1054AX

